



SHENZHEN LEAD OPTO-TECHNOLOGY CO.,LTD

Add:No.26 building,Putian Road,Bainikeng,Pinghu Town,Shenzhen City,China

Contact Lead: Tel +86-755-8466 0522; 8969 0533 Fax +86-755-8466 0122

Website:www.lead-lighting.com Expire date:2012-09-30

LED Panel Light Series (Side Emitting LED)

Product Features

- 1.High brightness and Longlifetime, can reach 50000hs
- 2.Energy-Saving and environment used,Only 3W can replacement 25W
- 3.New inner high efficiency With heat protection system, the constant current driver can work under unstable voltage.
- 4.Special circuit design, each LED can work separately thus it can avoid the influence that a broken LED causes.
- 5.Best thermal emitting with aluminum alloy as housing
- 6.No flickering & interference, instant soft start
- 7.Environment Friendly: No UV or IR radiation &No Mercury, No pollution of the environment

Illuminant parameters

Input: AC85V -265V,Led type:SMD3014
 Color temperaturer: 2800K-7500 K
 Beam angle: $\geq 120^\circ$,Power factor (PF) : ≥ 0.95 Power efficiency: $\geq 85\%$
 Frequency (Hz) :47 to 63Hz, Color index (CRI) : $\geq 75Ra$
 Material: aluminum body and pc cover
 Warranty: 2 years
 LED life span: 50,000 hours



High Brightness:



Model	Power (W)	Dimension (mm)	Lumen (lm)	Angle	Input Voltage(V)	Color	Price
LD-PL-18W-CL1-3030	18W	300*300*10.5	1440	$\geq 120^\circ$	AC85-265V	W/WW	\$33.84
LD-PL-30W-CL1-3060	30W	300*600*10.5	2400	$\geq 120^\circ$	AC85-265V	W/WW	\$52.02
LD-PL-48W-CL1-6060	48W	600*600*10.5	3840	$\geq 120^\circ$	AC85-265V	W/WW	\$83.52
LD-PL-48W-CL1-30120	48W	300*1200*10.5	3840	$\geq 120^\circ$	AC85-265V	W/WW	\$83.52
LD-PL-60W-CL1-30120	60W	300*1200*10.5	4800	$\geq 120^\circ$	AC85-265V	W/WW	\$94.68

Promotion:

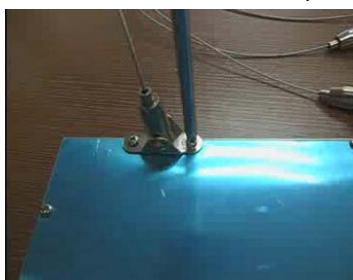
LD-PL-24W-CL1-3060	24W	300*600*10.5	1920	$\geq 120^\circ$	AC85-265V	W/WW	\$46.89
LD-PL-36W-CL1-6060	36W	600*600*10.5	2880	$\geq 120^\circ$	AC85-265V	W/WW	\$74.16
LD-PL-36W-CL1-30120	36W	300*1200*10.5	2880	$\geq 120^\circ$	AC85-265V	W/WW	\$74.16

Note: Above price are EX-Work price,no middle man exist. Payment term: TT/ Western Union in advance.

Above Panel Light support to install as recessed,ceiling mounting and ceiling hanged like below:



ONE Meter Hanging



Screwing on the light



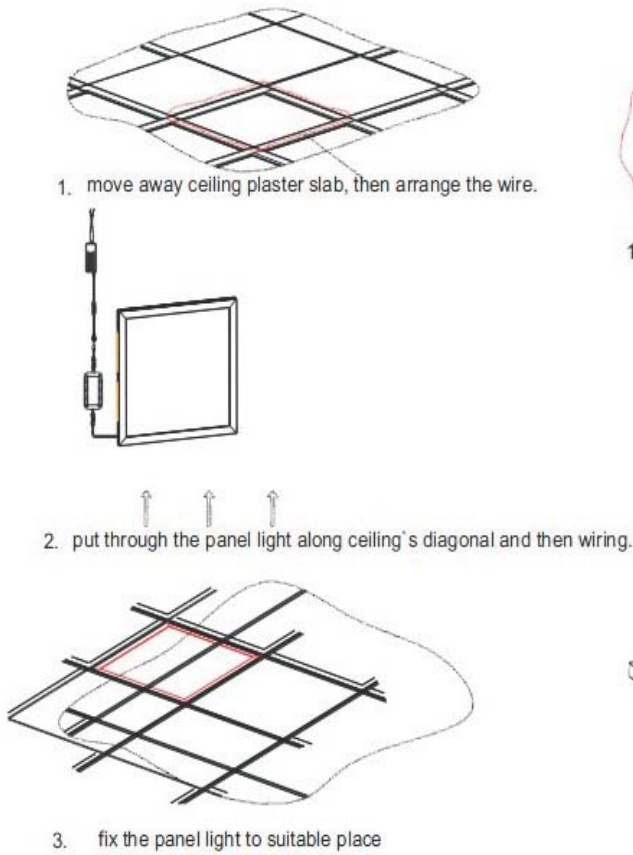
Height adjustable

3030/3060/6060 Panels use FOUR pcs steel wire and price is USD4.00 per set

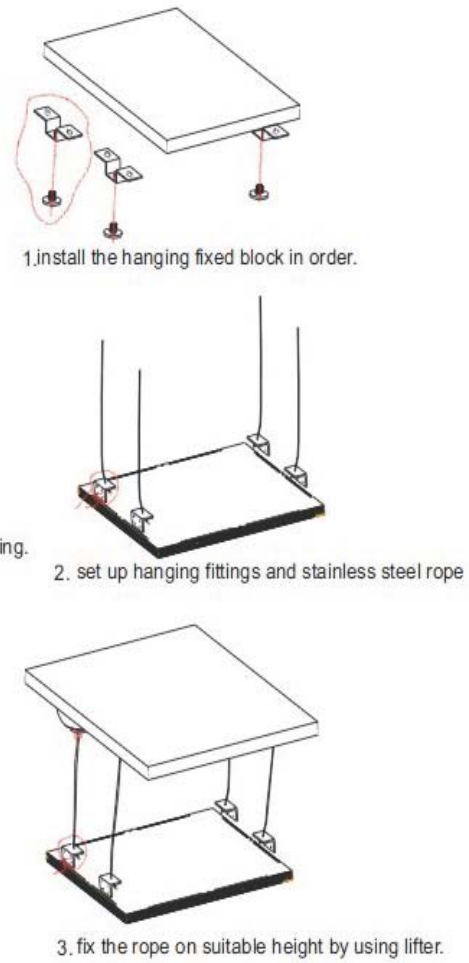
30120 Panels use SIX pcs steel wire and price is USD6.00 per set

Installation Guide:

schematic diagram for embedded installation

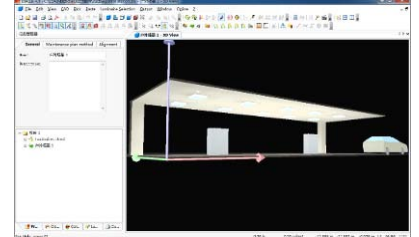
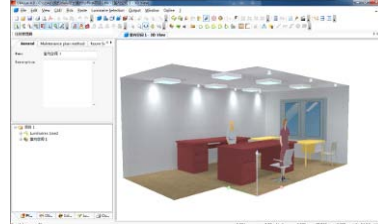


schematic diagram for hanging installation

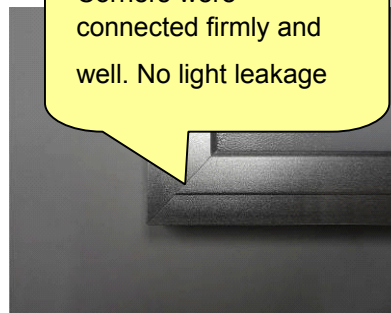


Additional service

We can run Dialux program to design the lighting for the projects as client's requirement.



Product features on production



Factory corner & Application:

