



F Series Infrared Multi-point Touch Screen

Infrared Multi-point Touch Screen 55" (FB55WH00U-00-XX) Technical Specification

Touchone Solution Technology Co., Limited

Version Update

Version	Date	Page	Update Details
V1.0	2011-10-10	All	1 st publication
V1.1	2011-11-28	All	Add glass specification and modify dimensional drawing
V1.2	2011-12-10	Page 6	Modify dimensional drawing
V1.3	2012-06-19	All	2 nd publication
V1.4	2014-03-17	All	3 rd publication

Design and specification subject to change without notice.

Touchone Solution Technology Co., Limited

<http://www.asiatouchone.com>

marketing@asiatouchone.com



Contents

1、 Characteristics	3
2、 Optional Type.....	3
3、 Specification Parameters.....	3
4、 Electricity Specifications	4
5、 Storage Conditions	4
6、 Reliability Test	4
7、 Software Features	5
8、 Compatible Operation Systems	5
9、 RS-232 Connector	6
10、 Glass Specifications	6
11、 Dimensional Drawing	7
12、 Product Image	7



1、 Characteristics

- FB55WH00U-00-XX an infrared touch screen of high precision for 55inch display device with the resolution of 32768×32768.
- Maximum support to ten-point touching.
- Without driver,supporting plug and play.
- Compatible with many operating systems,intelligent switching among Win XP、 WinCE、 Vista、 Win 7、 Win 8、 Linux、 Mac、 Android..

2、 Optional Type

- W55H00U-00-4P support four-points touch;
- W55H00U-00-6P support six-points touch;
- W55H00U-00-10P support ten-points touch;

3、 Specification Parameters

Size / Diagonal		55" / diagonal=1388.00mm
Outline Dimension		1259.8(W)×730.4(D)×9.5(H) mm
Active Touch Area		1209.8(W)×680.4(D) mm
Frame Material		Aluminum alloy
Appearance Color		Black
Glass	Standard	Not included
	Optional	4mm toughened glass (glass reference specification chart)
Touch Resolution		32768 (W)×32768 (D)
Response Time		≤4ms
Touch Accuracy		±2mm(over 90% Area)
Input Method		Finger、 gloved hand or opaque object
Output Format		Coordinate output
Touch Times		Unlimited
Minimum Touch Object		Φ3mm
Interface		A type: USB connector
		TTL type: RS232 connector
Cable Length		Standard: 1500mm
Certification		RoHS、 CE、 FCC

Touchone Solution Technology Co., Limited

<http://www.asiatouchone.com>

marketing@asiatouchone.com



4、Electricity Specifications

Scan Frequency		200Hz
USB2.0	Connector Type	USB A Type
	Communication Interface	USB-D+, USB-D-
	Transfer Speed	12Mbps
	Signal	+5V,D-,D+,GND
Power Supply		USB
ESD Protection		8 kV air discharge, 4 kV contact discharge
Working Voltage		DC+5V±5%
Operation Current		<300mA

5、Storage Conditions

Item	Specification
Storage Temperature	-10~80℃ (Temperature slope25℃/Hr less than)
Storage Humidity	Storage: 0%-95% , non-condensing
Storage Time	Three months

*Stored for more than three months required at a high temperature above 40 °C dry environment placed over 4 hours.

6、Reliability Test

Item	Specification
Temperature	Working temperature : -10℃~50℃ (Temperature slope25℃/Hr less than)
	Storage temperature : -20℃~60℃ (Temperature slope25℃/Hr less than)
Humidity	Operating humidity : 10%~ 85% RH, non-condensing
	Storage humidity : 10%~ 85% RH, non-condensing
Electrostatic Grade	Win 7、 Win XP ,each pull & plug 2000 times.
Anti-light	Full angle anti glare



7、 Software Features

Item	Specification
Firmware Update	Support USB Update under Win 7/Win 8/Win XP/Mac/Linux/Android OS
Touch Type	Singe-point,dual-point,four-point,six-point,ten-points touching(optional)
Support Operation System of Multi-touch	Windows 7 Ultimate / Windows 7 Professional / Windows7 Home Premium / Windows 8 / Windows 9 Pro /Windows 8 Enterprise / Android *The above system shall have the multi-point touch function, and the operating system must be genuine, otherwise it will affect the touch
Support Operation System of Single-touch	Windows 7 /Win XP/ Vista/ Linux/ Mac/ Android/Wince/Chrome
FLASH Multipoint Touch	Support TUIO protocol , can be realized multi-touch under Win XP system

8、 Compatible Operation Systems

Item	F Series Infrared Multi-point Touch Screen
Compatible Operation System	Win XP/Win 7/Win 8 /Win CE/Android/Linux /Mac 10.6 above
TUIO	All products support TUIO protocol, open the TUIO service program
Linux	General single touch, can support multi touch after modifying kernel LINUX Verified version; Fedora 10 above version , Ubuntu 10.04above version, RedFlag 6.2 , OpenSuse 11.4
Android	Single-point: generally do not need to modify the kernel ; Multi-point: The kernel version 2.6.31. or above, and require kernel modification technique ability
Service Program	New Version
RS232 (COMM)	Support, Windows OS without install drivers
Calibration	Win XP, Win 7, Win 8 ,, Mac, Linux calibration directly ; Other OS: use after calibration in Win XP, Win 7
Horizontal and Vertical Screen	Windows 7/Windows 8 Automatic switching ; Win XP Calibration

Touchone Solution Technology Co., Limited

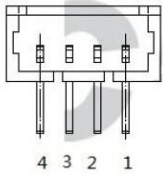
<http://www.asiatouchone.com>

marketing@asiatouchone.com



9、RS-232 Connector

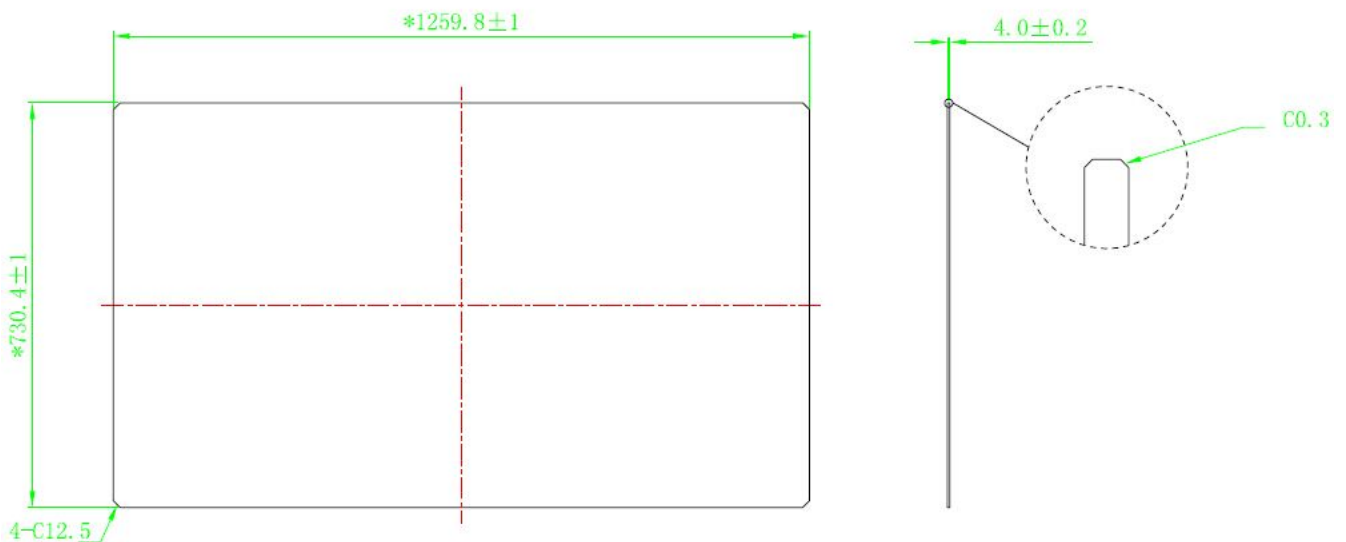
Number	Signal Name	Direction
1	VCC	+5V
2	RXD	RS232 (TTL) Receive Data
3	TXD	RS232 (TTL) Transmit Data
4	GND	Ground Connection



PITCH 1.25mm

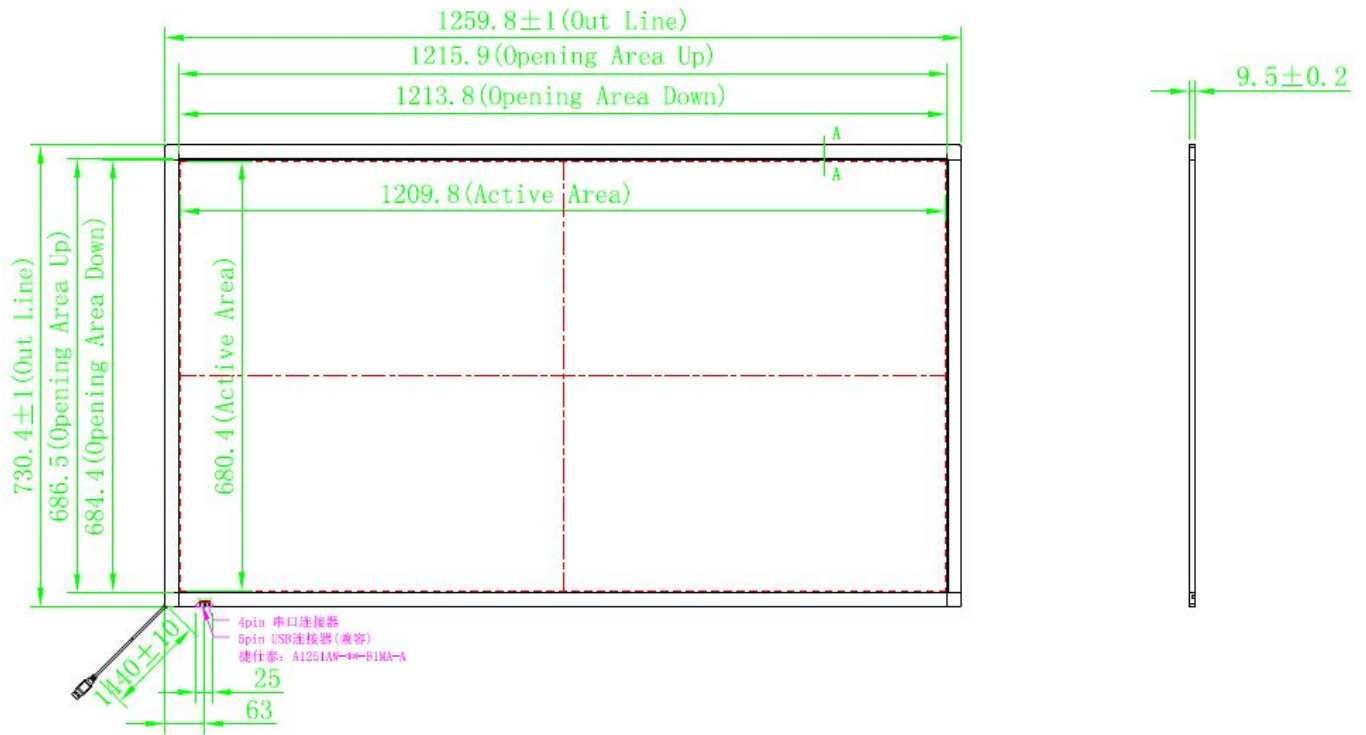
10、Glass Specification

- 1) Thickness: 4mm;
- 2) White Toughened Glass;
- 3) The glass should be no scratch on the surface and evenness within 0.3%;
- 4) The negative factors like bubbles, cracks and impurities should abide by the company standard "The Material Inspection Standard of Glass";
- 5) To avoid injury, the edge / corner 0.30mm chamfered grinding requirements
- 6) RoHS compliant.





11、 Dimension Drawing



12、 Product Image



Touchone Solution Technology Co., Limited

<http://www.asiatouchone.com>

marketing@asiatouchone.com